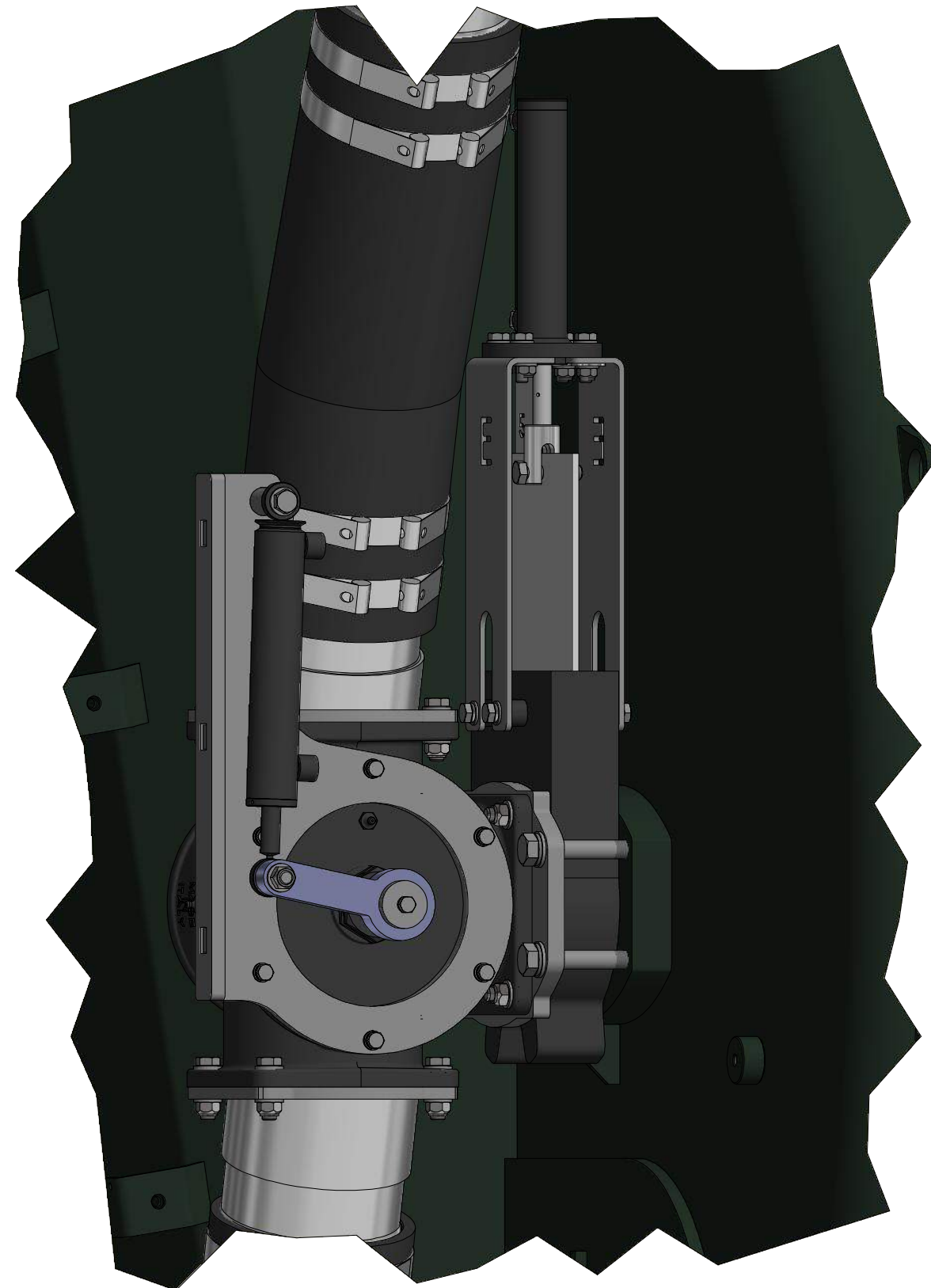
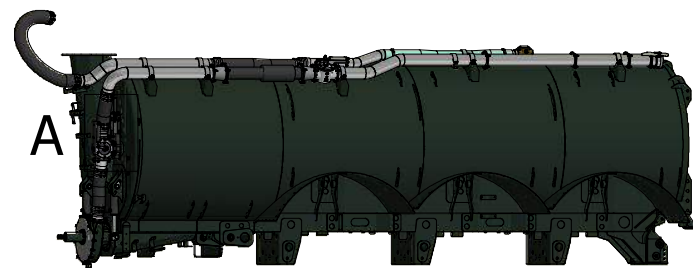


# Hydraulisk regulerbar spadeventil f/flowreduktion



A ( 1 : 5 )

GØMA PARTS LIST

ITEM	QTY	DESCRIPTION	Order no.
1	4	Stålbolt, 16X110MM	005316110
2	4	Facetskive, M16MM	040716
3	4	Fjederskive, FZ M 16	044116
4	4	Stålsætbolte, 10X25MM	00571025
5	4	Stålsætbolte, 10X35MM	00571035
6	1	Stålsætbolte, 12X50MM	00571250
7	4	Låsemøtrik, M10MM	036810
8	1	Låsemøtrik, M12MM	036812
9	4	Norlock Skiver, M10 Ø10,7X16,6X2,5	0401700210
10	12	Facetskive, M10MM	040710
11	1	Facetskive, M12MM	040712
12	2	Indskruning, Lige 10MMX3/8" Rø	1253756
13	1	Spadeventil DN150, Ebro	30EB045E150
14	2	Beslag, For Ebro 150	G190000005
15	1	Markeringsplade for skydeventil	G400000691
16	1	Gaffel F Cylinder, Model 2005	G400001425
17	1	Cylinder Ø32/16X150 M. Flange	G840000069
18	1	Flange oval f-6 tommer m. 4 x M12	G440000151

