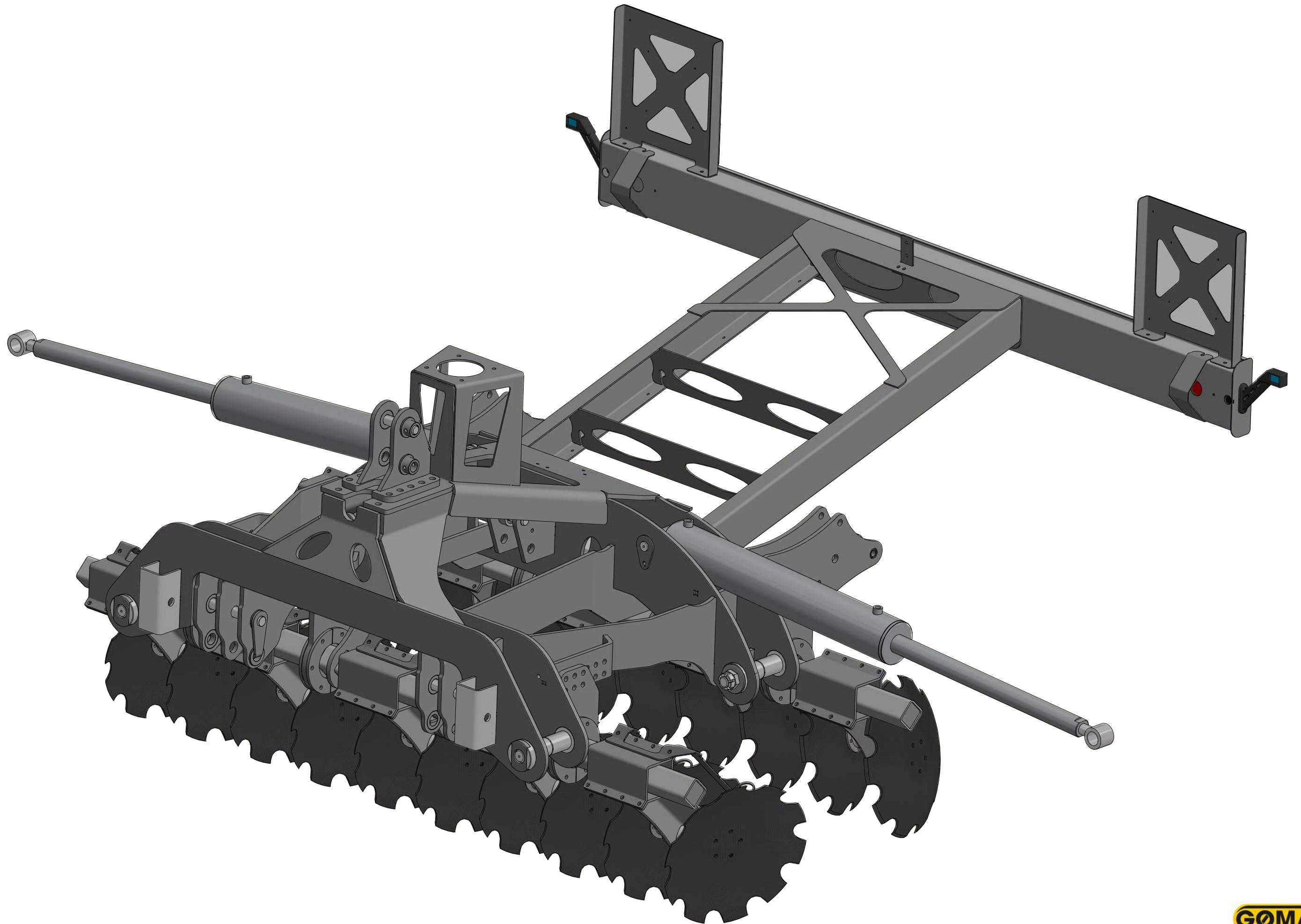
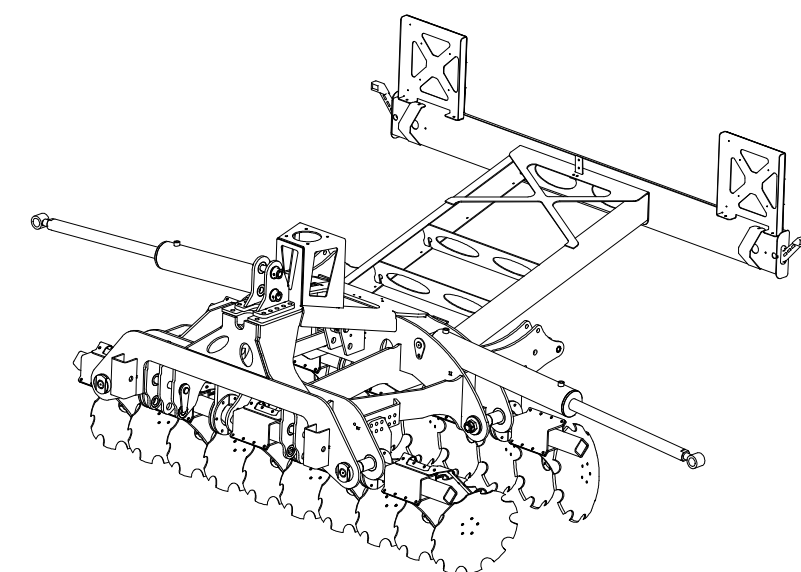


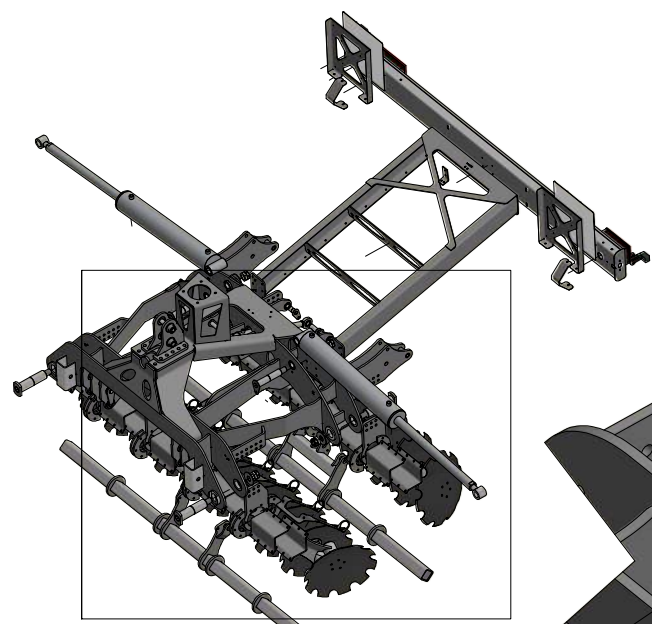
Nedfælder GD800 midtersektion



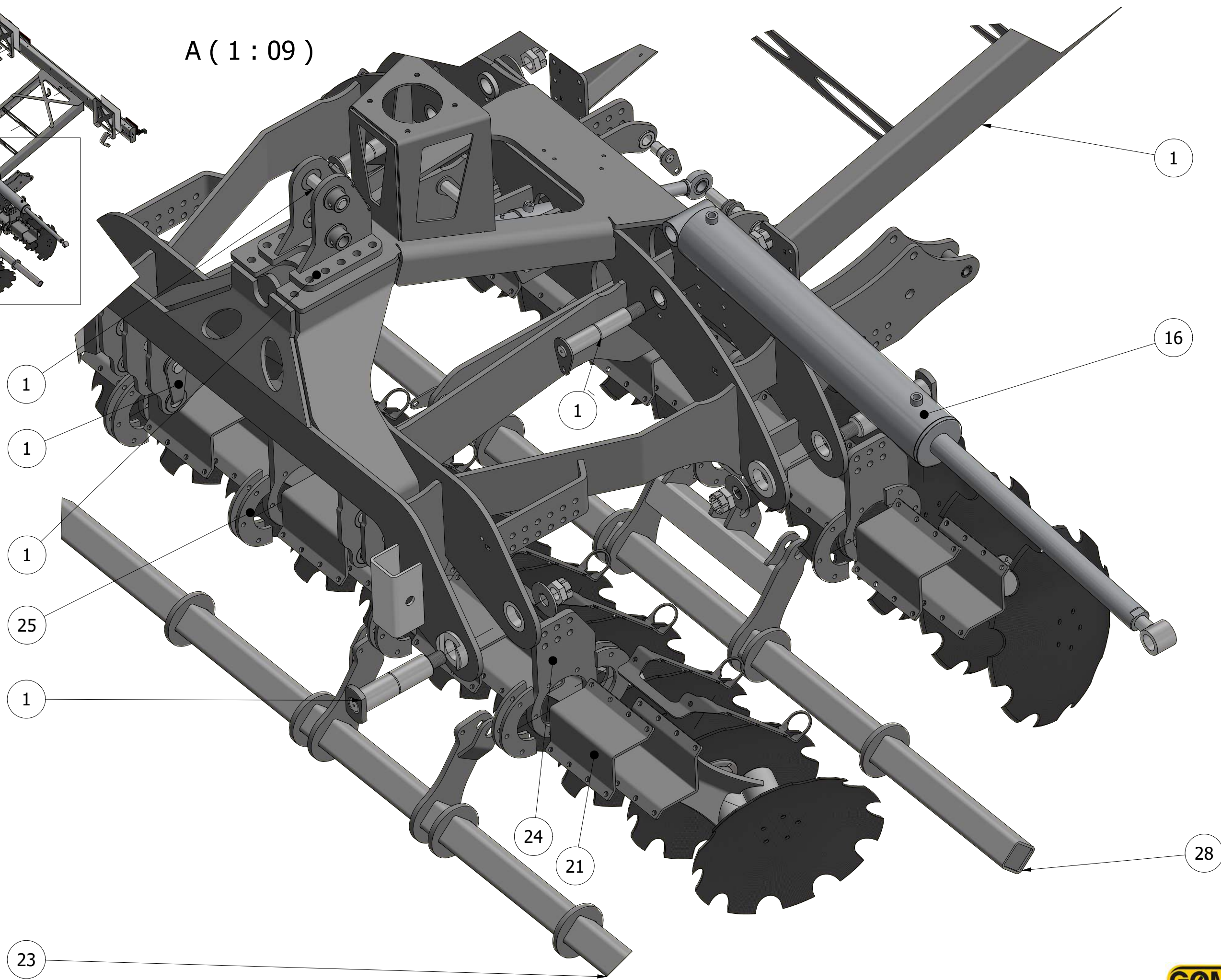
GØMA PARTS LIST			
ITEM	QTY	DESCRIPTION	Order no
16	2	Cylinder Ø125/60X750 komplet GD800	G840000367
17	5	Disc consol asm. - 1. bulle	G220000024
18	20	Lejehus kpl. for disc, SKF	G200000364
19	20	Tallerken, for disc-nedfælder, HD	480976
20	5	Disc arm welding - 1. bulle	G230000139M
21	10	Bolt plate disc arm	G200000446M
22	5	Gylleholder GD 800 - lang	G200000713M
23	1	Harvebul forrest, center - 8m disk	G230000152M
24	8	Justerplade harvebul, midt - 8m disk	G200000564G
25	16	Lejeholder for justerplade v. harvebul, center - 8m disk	G200000563G
26	5	Disc consol asm. - 2. bulle	G220000025
27	5	Disc arm welding - 2. bulle	G230000140M
28	1	Harvebulle bagerst, center - 8m disk	G230000153M
29	1	Cylinder 70X35X200	G220000060
30	1	Nagle, cyl. for dybdejustering - 8m disk	G230000158E
31	1	Nagle, cyl. for dybdejus. center - 8m disk	G230000185E
32	2	Ben for dybdejustering, center - 8m disk	G220000047M
33	4	Nagle, dybdejustering disc - 8m disk	G230000156E
34	2	Slingrelygte, Led - V+H	G800000170
35	1	Baglygte Venstre	G800000387
36	1	Baglygte Højre	G800000389

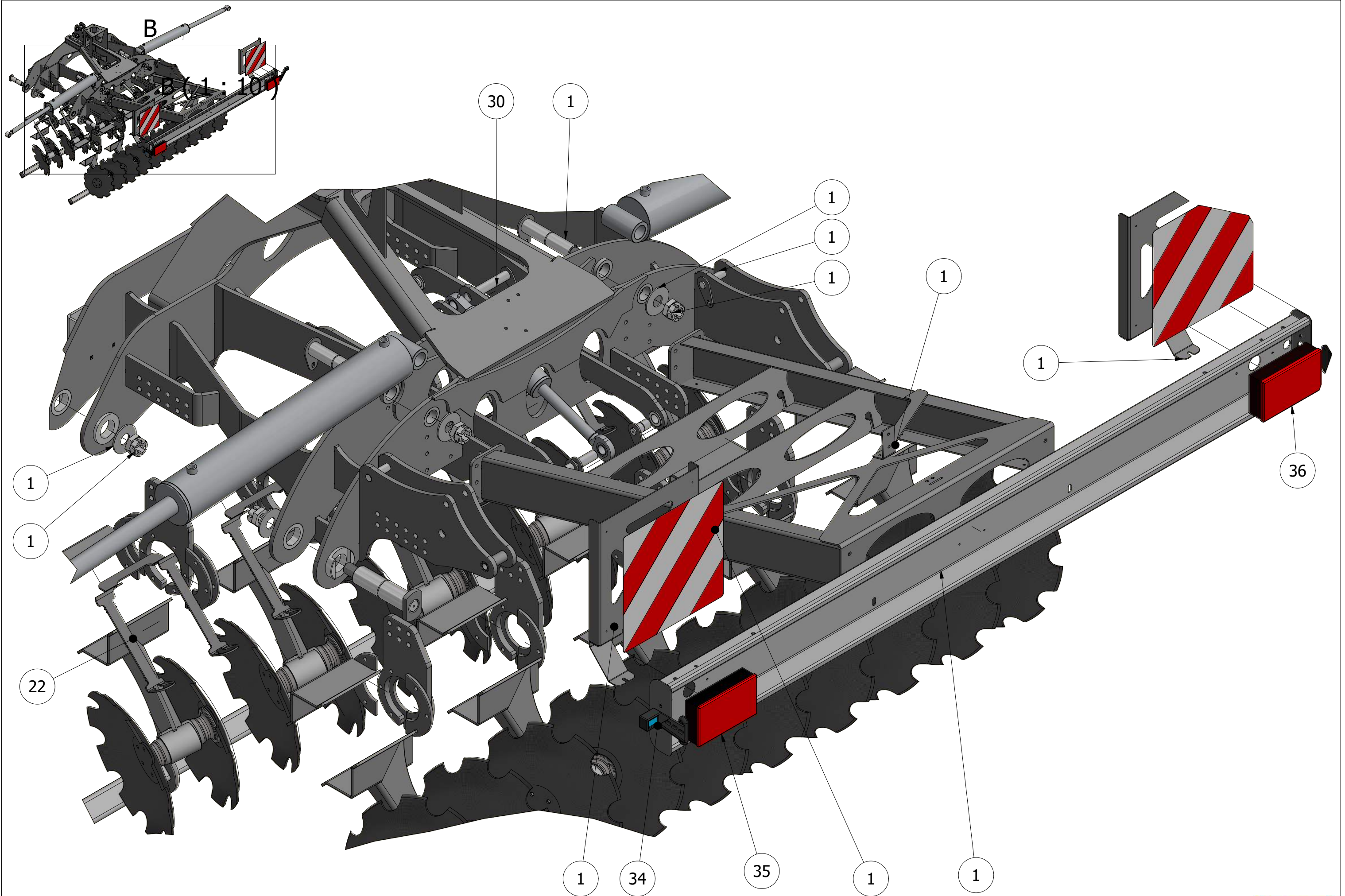


A (1 : 09)

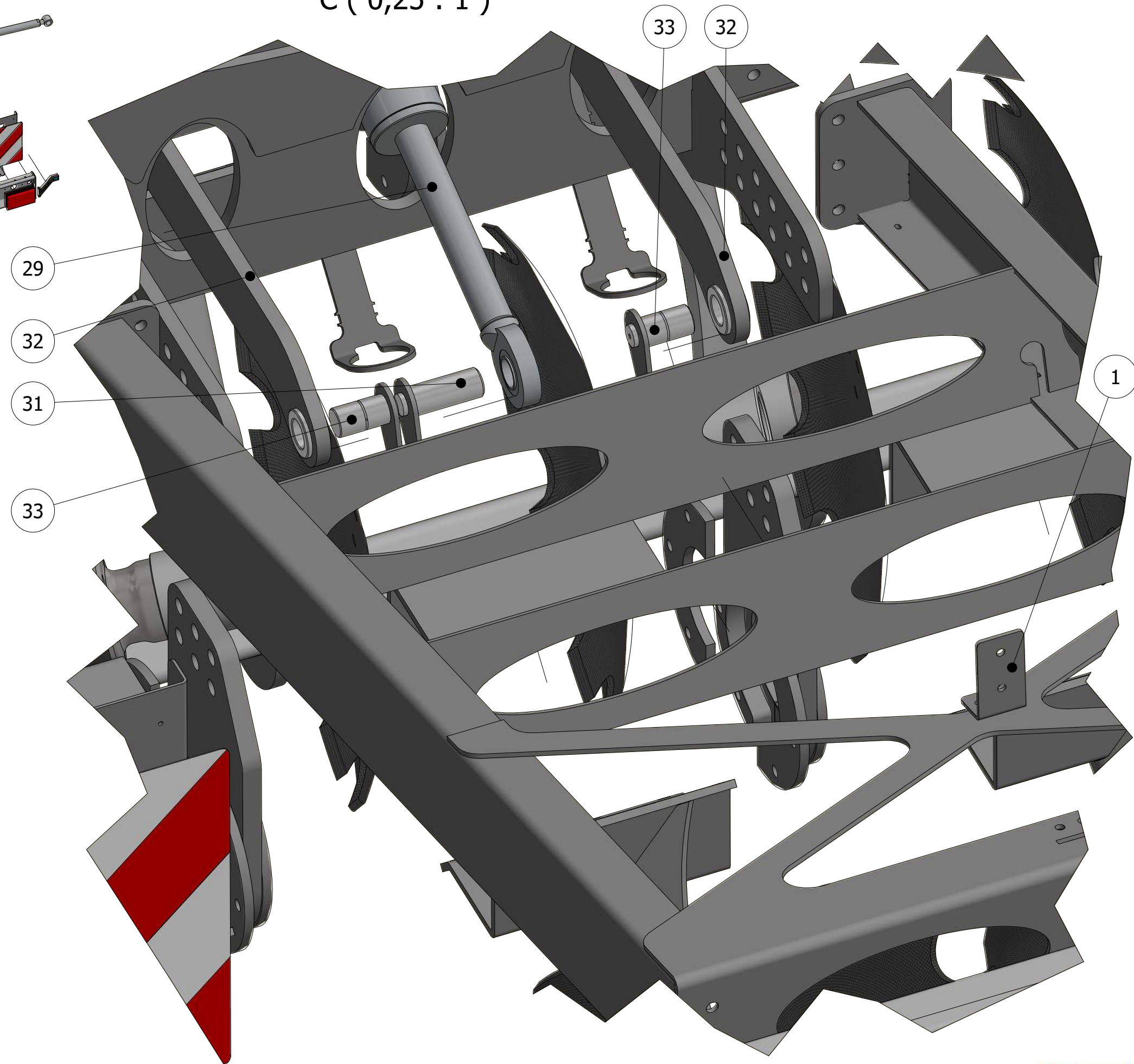
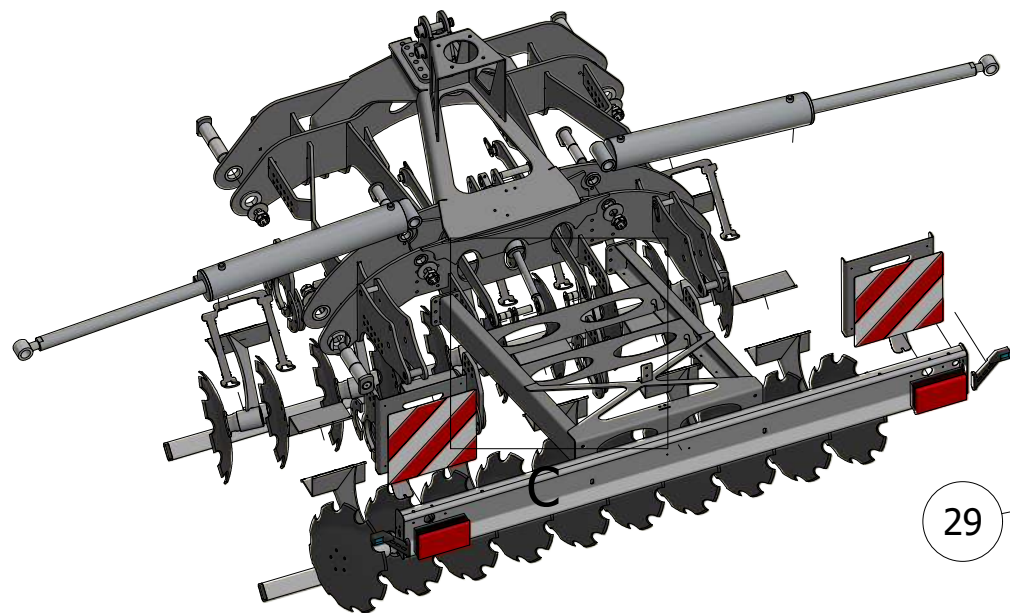


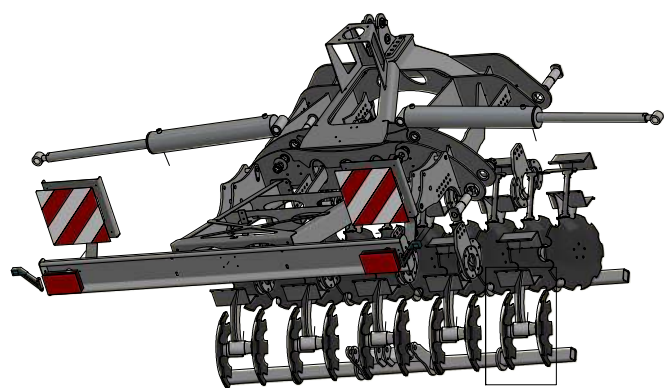
A



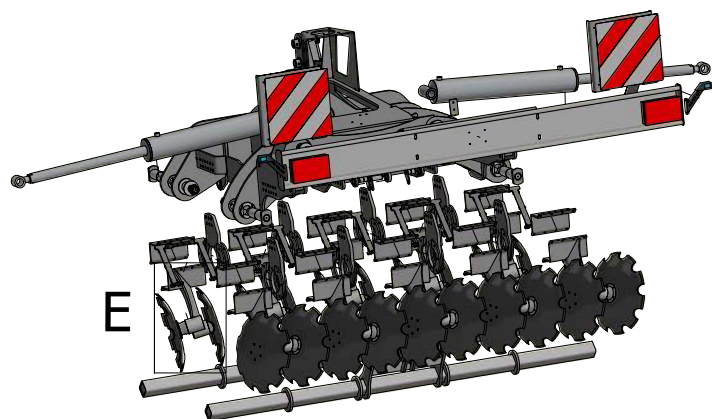


C (0,25 : 1)





D



E

E (0,2 : 1)

17

20

19

18

D (1 : 5)

26

27

19

18